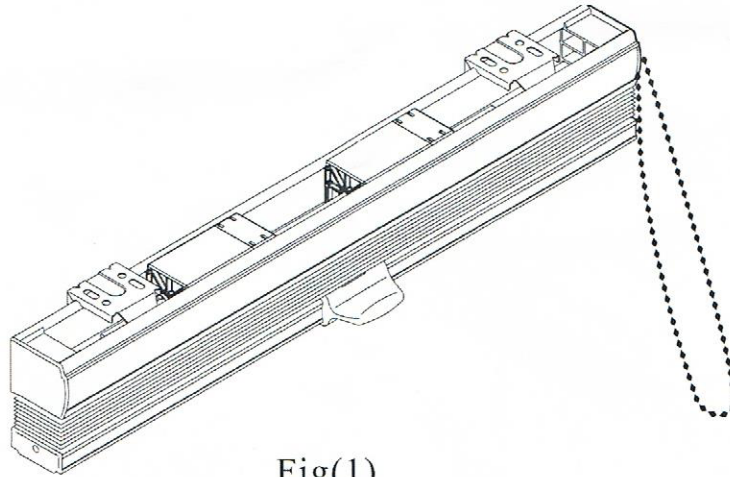
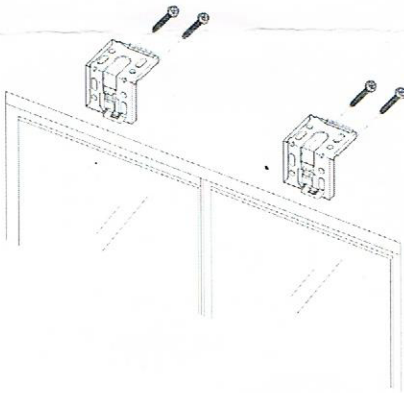


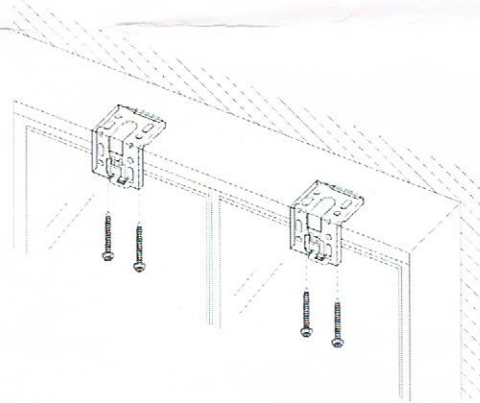
CORDLESS & EASY LIFT CELLULAR INSTALLATION INSTRUCTION



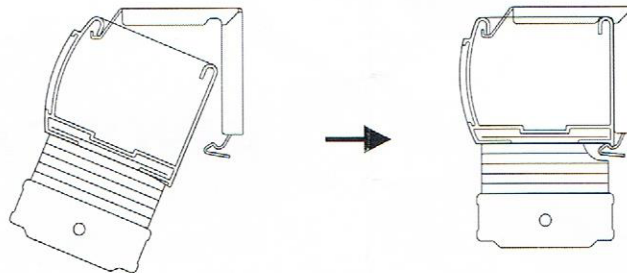
Fig(1)



Outside mount Fig(2-1)



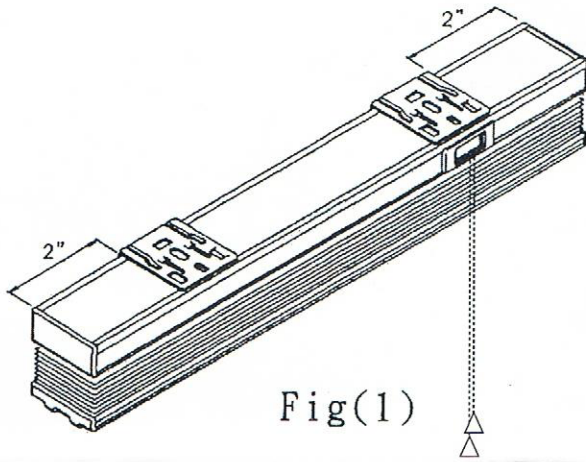
Fig(2-2) Inside mount



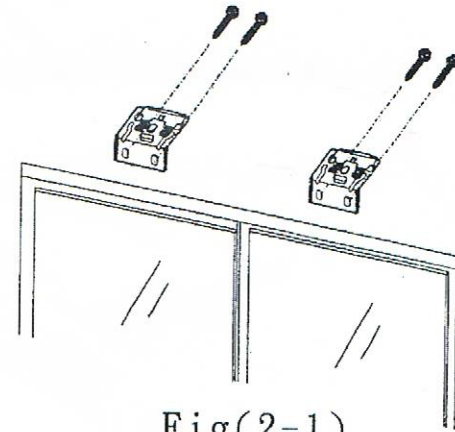
Fig(3)

Please allow 24 hours for your shade to drop to its actual height when first installed due to the nature of the fabric.
On easy lift blinds cord loop must be fastened to the cord tensioner provided.

CORDED CELLULAR SHADE INSTALLATION INSTRUCTION

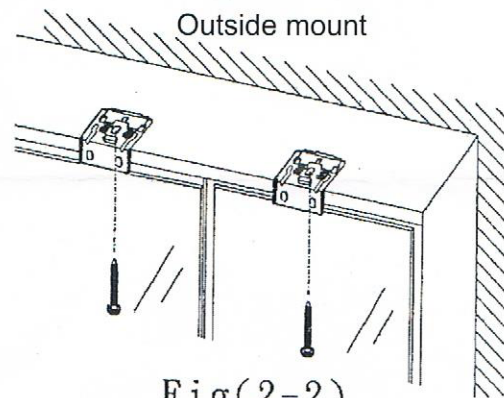


Fig(1)



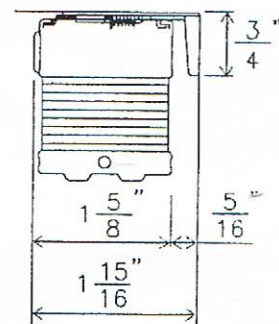
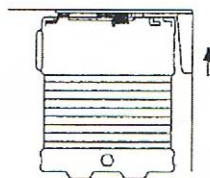
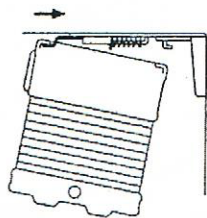
Fig(2-1)

Outside mount

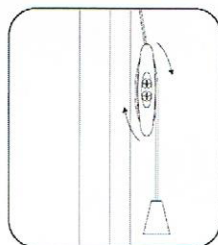
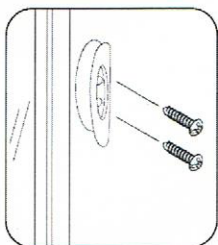


Fig(2-2)

Inside mount



Fig(3)



Regular corded cellular shade includes 1 cord cleat and 2 screws.
Top down bottom up shade uses 2 cleats and 4 screws.

IMPORTANT NOTE:

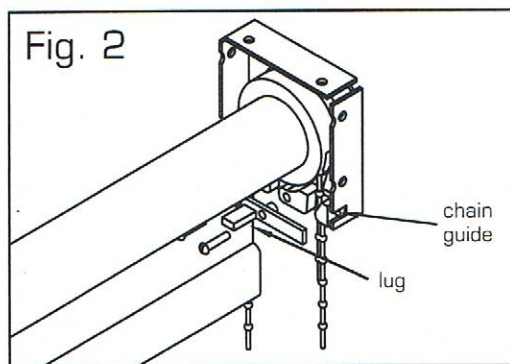
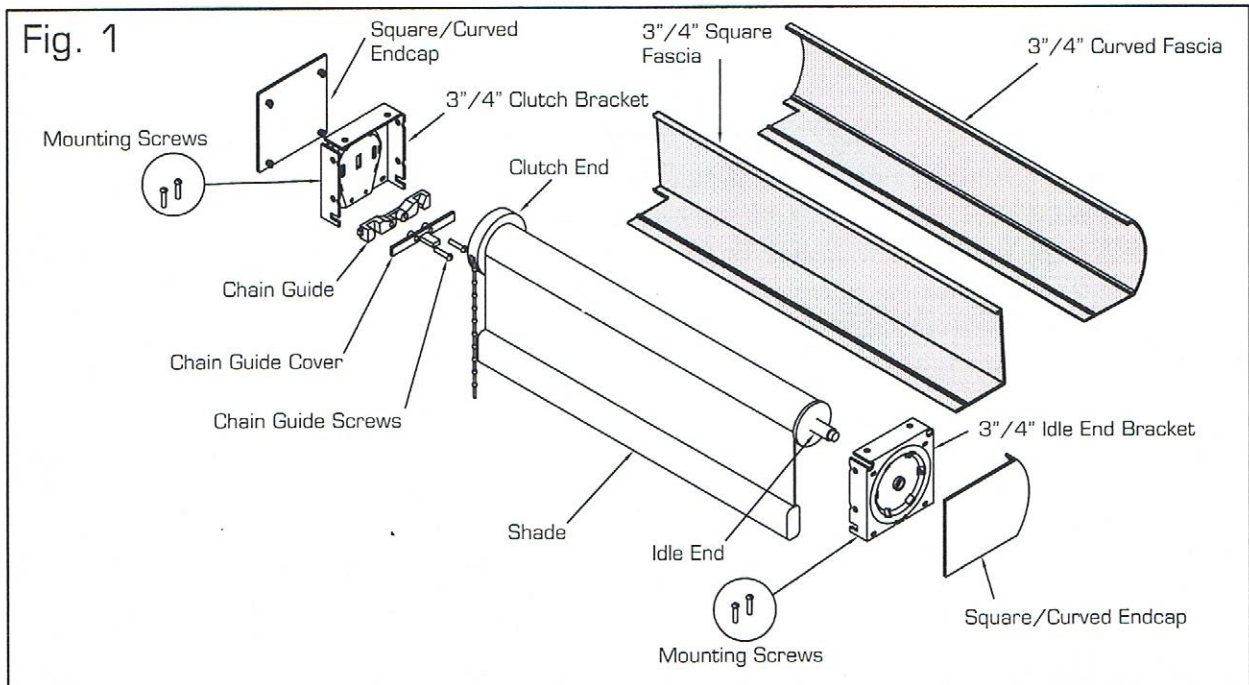
Always tie the cord to cord cleat after shade is raised or lowered for safety reasons. Please allow 24 hours for your shade to drop to its actual height when first installed due to the nature of the fabric.

ELITE™

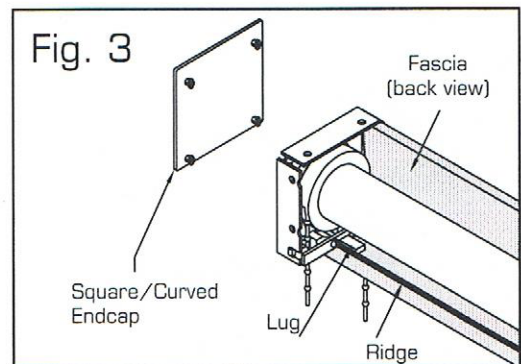
WINDOW FASHIONS

Z - 300 / 400 Fascia Installation & Assembly Instructions (3" and 4" Fascia)

1. Install clutch and idle end brackets. If left control, clutch bracket is on left. If right control, clutch bracket is on right. Ensure open end faces downward (fig. 1).
2. Take shade roll; insert idle end pin into hole of idle end bracket. Compress and insert clutch end into grooves of clutch bracket. Chain opening faces downward (fig 1).



3. Chain Guide Assembly: place chain guide into clutch bracket. Ensure chain passes through outer guides. Screw on chain guide cover.



4. Take aluminum fascia cover, hook into top of brackets, and snap bottom into place (ridge on underside of fascia should snap over lug of chain guide and notch in idle end bracket for a tight pressure fit).

5. Snap plastic endcaps onto brackets (outside mount only).



Programming Guide for e-Motion Motors



Troubleshooting Steps

Motor is non-responsive:

- a) Make sure remote control is on correct channel.
- b) Battery inside remote control may need replacing.
- c) Battery motor only: batteries inside battery tube may need replacing.
- d) Plug-in motor only: ensure wall outlet has power. If possible, check wires to ensure proper connection.
- e) If motor is still unresponsive, see below for "How to reset your motor".

How To Reset Your Motor:

WARNING: before proceeding, please note that all pre-programmed limit settings and all paired remote control connections with this motor will be lost. Please unplug any other e-Power motors before continuing.

1) Resetting Your Motor:

Locate the **red** button on the motor head*. Press and **hold** red button for at least 8 seconds; motor will emit several long beeps followed by several short beeps. **Release red button after short beeps stop.** All programming and memory for this motor is now deleted.

*Motor head is located at the top left or right side of the shade roll. Depending on your shade type, the motor head may be partially concealed or obstructed by aluminum fascia or cassette housing. Use a pen or paperclip to press red button. Call your Authorized Elite Dealer for phone or on-site assistance if required, or call Elite Customer Service at 1-800-387-3566 for a dealer near you.

2) Assigning Remote Control To Your Motor:

- a) On your remote control, select desired channel to which you will assign the motor.
- b) Press and **hold red** button on motor for 3 seconds. Motor will emit several short beeps followed by several long beeps. **While motor is emitting the long beeps** press the "C" or "Confirm" button on your remote control. Motor will emit a second set of short beeps to confirm that remote has been successfully paired.

WARNING: motor will have NO limit settings at this time!

Check motor running direction by pressing "Up" or "Down" on remote control. Press "Stop" before motor gets too close to the top or bottom of the window. If motor running direction is reversed please see below, otherwise proceed to "Programming Limit Settings" on pg. 1.

3) How To Change Motor Direction (only if motor runs in opposite direction to remote buttons):

On your remote control, press and hold "Limit" and "Stop" buttons **at the same time** for 6 seconds until motor beeps. Release both buttons. Check if running direction is correct by pressing "Up" or "Down". Proceed to "Programming Limit Settings" on pg. 1.



One Applewood Crescent, Unit One • Concord, Ontario, Canada L4K 4K1 • ☎(905) 660-0049 • (800) 387-3566 • ☎(905) 738-5759
email: customerservice@elitewf.com