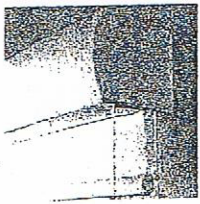


SQUARE/CURVED FASCIA

SPECIFICATIONS

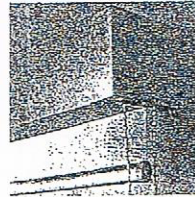
Curved Fascia



Sizes: 3" Standard
 4" for blinds over 96" width
 and/or 96" length

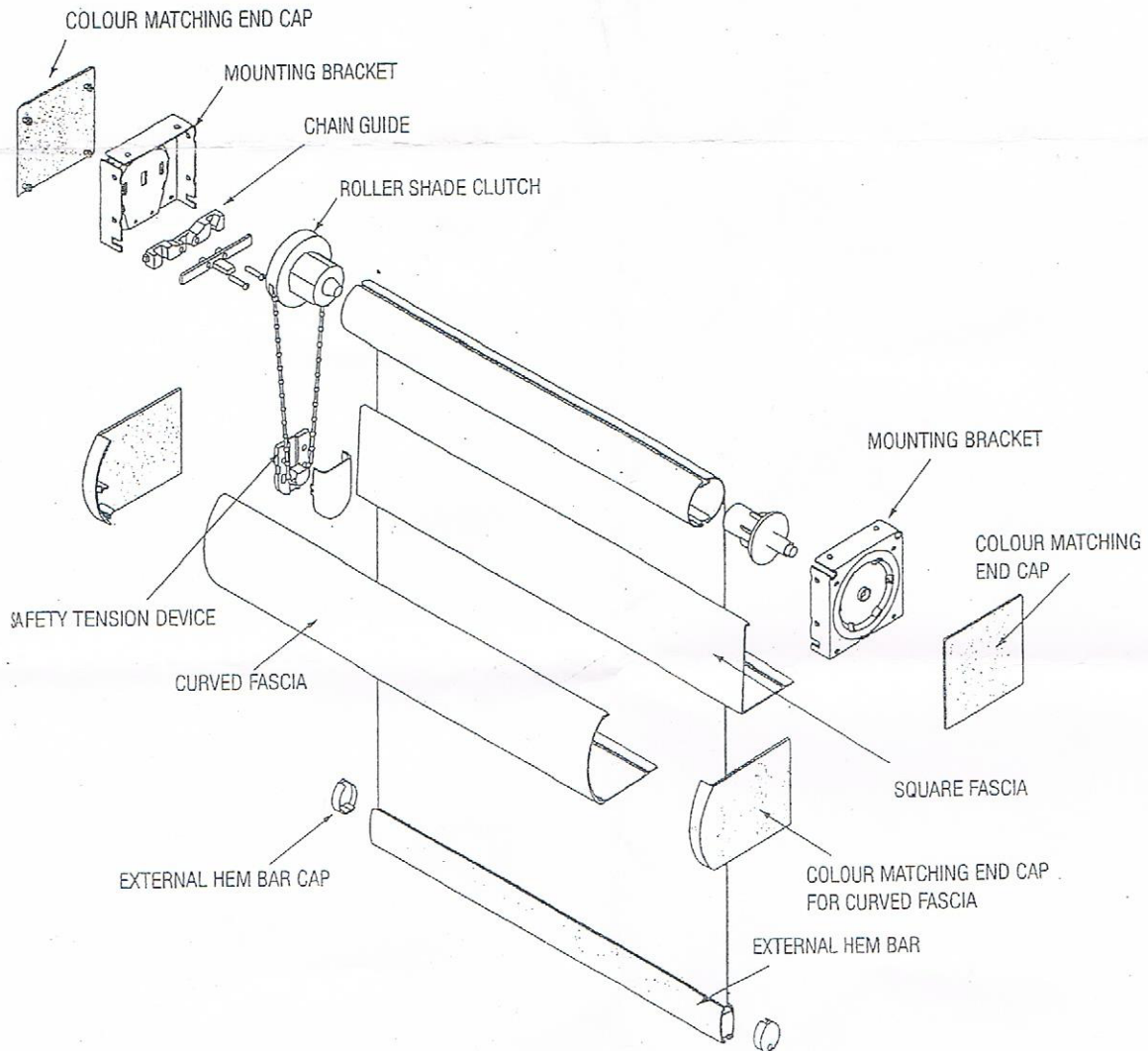
Colours: White, Alabaster, Bronze
 Anodized Aluminum,
 Black

Square Fascia



Sizes: 3" Standard
 4" for blinds over 96" width
 and/or 96" length

Colours: White, Alabaster, Bronze
 Anodized Aluminum,
 Black





INSTALLATION INSTRUCTION ALEO™ WITH CASSETTE

CAUTION

Cords and bead chains can loop around a child's neck and STRANGLE.
 • Always keep cords and bead chains out of children's reach.
 • Move furniture away from cords and bead chains. Children can climb furniture to get to cords. For more safety information: 1-866-662-0666.

Table A

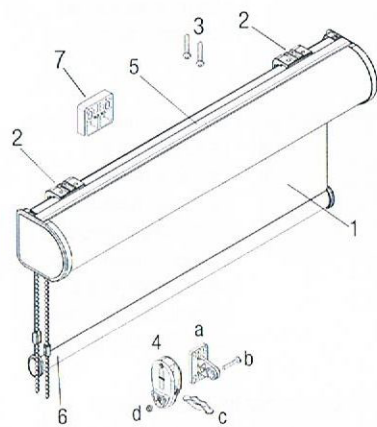
Width of the fabric	Number of brackets required
0" à 96"	2
96 1/8" à 102"	3

The warranty of the ALEO™ with cassette will be void if the product is dismantled or modified by another person than the manufacturer or a repairer authorized by the manufacturer.

ALEO™ WITH CASSETTE

Required tools:

- Square screwdriver #2 (For brackets and cord retainer if wall mount installation)
- Phillips screwdriver #1, Blade min. 4" (For security screws)



- Your ALEO™ with cassette should include the following pieces :
- 1) Blind
 - 2) Brackets
 - 3) Brackets Screws
 - 4) Cord retainer
 - a) Foot of the cord retainer
 - b) Screw
 - c) Tab
 - d) Nut
 - 5) Cassette
 - 6) Bottom bar
 - 7) Spacer (optional)

Figure 1

STEP 1

A- In the case where several shades are to be installed, please refer to the width of the shade indicated on the packaging in order to locate which window the shade will be installed in.

! IMPORTANT : Please refer to the *Table A* to determine the number of brackets required according to the width of the shade.

B- Depending on the mounting type (wall or ceiling), mark with a pencil the location of the bracket screws.

The first two brackets must be screwed at a distance of 1 1/2" to 2 1/2" at both ends of the product. The other bracket (if required) must be equally placed between both extremity brackets.

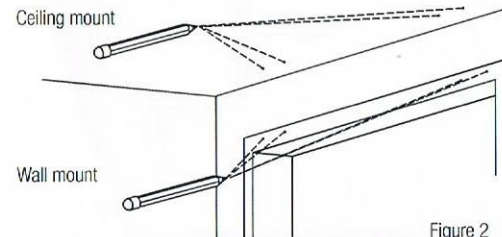


Figure 2

STEP 2

Install the brackets ensuring they are leveled and that the heads of the screws are straight once tightened.

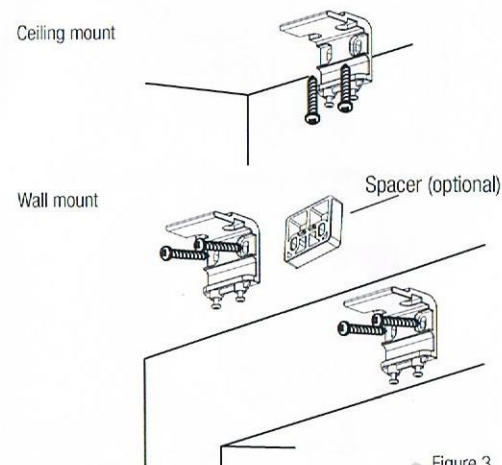


Figure 3

STEP 3

A- Slide the shade holder into the brackets while keeping a pressure on it to ensure the shade stays in position.

! **IMPORTANT** : If more than two brackets are used, please confine the blind in all brackets at the same time. Make sure to always keep one hand on the shade holder until all the safety screws are screwed (see figure 6 and 7). If necessary, get help from another person or use a scaffold.

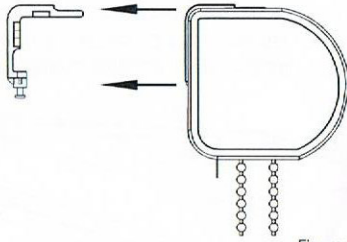


Figure 4

B) 1- Pull down the blind of 2 to 3 inches.

2- Move the base of the shade towards the fabric in order to clear the area where safety screws will be screwed.

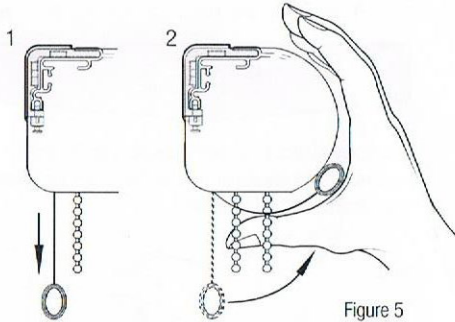


Figure 5

C- Tighten the safety screws under each bracket.

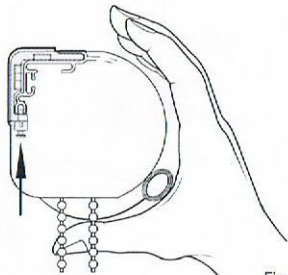


Figure 6

! **IMPORTANT** : Make sure the blind is trapped inside each bracket and all the safety screws are tightened. (see figure 7).

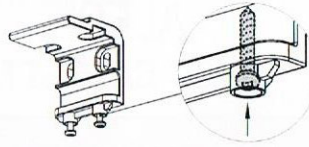


Figure 7

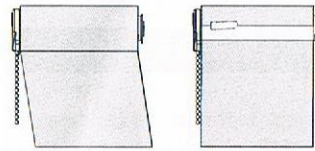
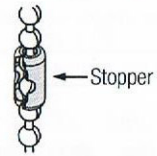
STEP 4

INSTALLATION OF THE CORD RETAINER
(SEE BAG FOR THE CORD RETAINER).

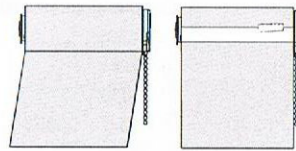
ADJUST ROLL-UP

If needed, make the adjustment if your shade doesn't roll-up straight.

A- If needed, remove the stopper on the front part of the chain. Mark the location of the stopper in order to replace it at its original position after adjustment.



If shade veers toward the right, lower shade completely and place a piece of tape (multiple pieces may be necessary) as close to the left edge of the roller as possible.



If shade veers toward the left, lower shade completely and place a piece of tape (multiple pieces may be necessary) as close to the right edge of the roller as possible.

B- Replace the stopper where a mark was left.

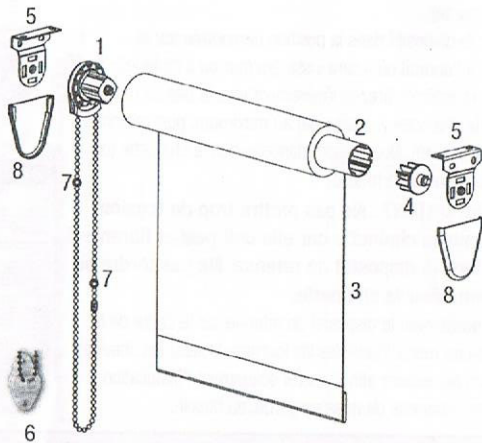
INSTALLATION INSTRUCTIONS

CHAIN ROLLER SHADE

WITH MAXIUM-ALS SYSTEM



The Altex Lock System (ALS) is exclusive to Altex. Its main distinction is its totally safe lock system. The shade cloth is attached to a spline that slides into a groove, which secures the fabric to the roller and prevents detaching.



Your shade should include the following pieces:

- | | |
|--------------------------|----------------------------------|
| 1. Clutch | 5. Universal brackets (2) |
| 2. Tube | 6. Cord retainer |
| 3. Fabric | 7. Stoppers |
| 4. Spring loaded pin end | 8. Bracket covers (2) (optional) |



WARNING

Cords and bead chains can loop around a child's neck and STRANGLE.
 • Always keep cords and bead chains out of children's reach.
 • Move furniture away from cords and bead chains. Children can climb furniture to get to cords. For more safety information: 1-866-662-0666.



ALTEX
www.altex.ca

April 2013

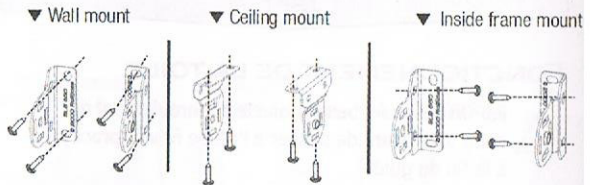
MAGL_TRMA1(1304)

STEP 1

FIXING BRACKETS

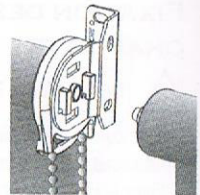
- A- Check the width printed on the wrapper of your shade;
 B- Depending on the mounting (wall, ceiling or inside the window frame), mark the location where the brackets will be screwed;
 C- Screw in the brackets at the correct angle (brackets are universal. Each bracket can be used for the right and left sides).

IMPORTANT: Make sure that brackets are mounted level.



SHARING A BRACKET BETWEEN TWO SHADES (IF NECESSARY)

If sharing a bracket between two shades, bracket can only be shared by a clutch and a pin end, not clutch-to-clutch or pin end-to-pin end.



IMPORTANT: The lower part of the bracket (dark area on picture) must be considered as the center of the two shades.



STEP 2

INSTALL THE SHADE



IMPORTANT: You must respect the order of the two following steps.

- A- Put the spring loaded pin end into the round hole of the bracket;
 B- Insert the hook arms of the clutch straight into the two hook arm receiver holes of the brackets. Once the two hook arms are through the holes, gently pull down the clutch until the two hook arms have locked securely to the brackets.